



Q15

4 Magnum

General Specifications

- (25) Sunfit VRX 160W Premium Lamps (in the canopy)
- (4) Sunfit RS 1000W - HP lamps (in the canopy)
- (20) Sunfit VX 180W Premium Lamps (in the base)
- (6) Sunfit S+ 25W Lamps (in the shouldertanner)

Max. Exposure Time: 12 minutes
Colors: XtremeOrange (XOM) & RoyalBlue (RBM)

GoldFlex HP Filter System
Bodycoolers: Turbo and Face+
Central Air Extraction: 1@200mm + 1@150mm

General Information

Power Supply: 3phase - 3x220V/60Hz + Ground
Amperage (w/ Airco): 47 A (51 A)
Breaker Size: 60 A (slow) recommended
Wire Size: 7 AWG recommended
Buck/Booster(s): 2 x 2.0 KVA (16/32)

Bed Dimensions (Open): 102" L x 62" W x 61" H
Crated Dimensions: 91" L x 55" W x 68" H
Crated Weight: 1,064 lbs
Minimum Room Size: 10'2" L x 9'2" W

Bed Features

SmartLight, SmartCooler, SmartMusic, SmartShape,
 SmartShoulder + NeckTanner & SmartControl

Bed Options

SmartAirco, SmartBreeze, SmartAroma &
 SmartPaytronic

Color Options

- XtremeOrange Metallic
- RoyalBlue Metallic



Bed Features



SmartLight SmartCooler SmartShape SmartMusic

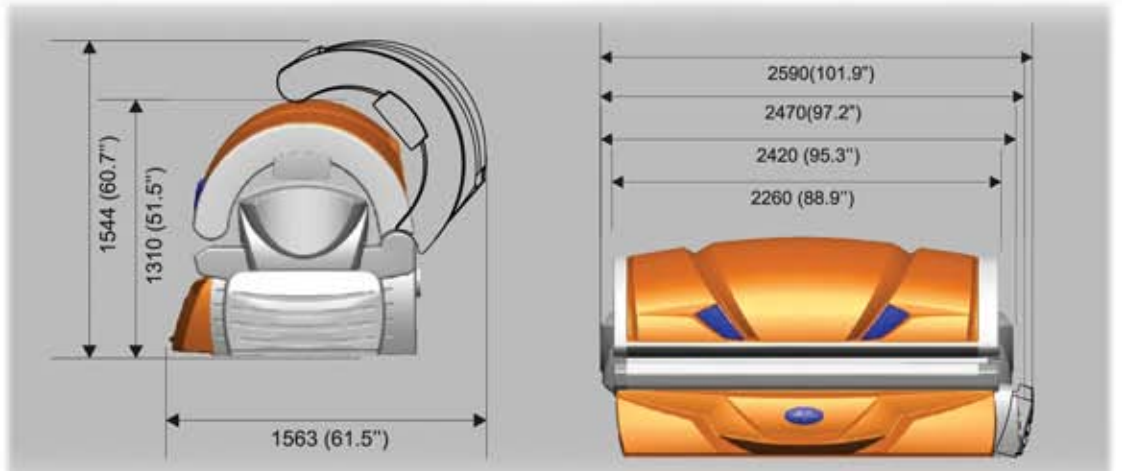


SmartTanners SmartService SmartControl

Bed Options



SmartAirco SmartBreeze SmartAroma SmartPaytronic



Reeves Enterprise

115 N. Dixieland, Suite 1
 Rogers, AR 72756

1.888.812.6833

www.ultimate-tan.com

