



# Q15 4 Magnum

## General Specifications

- (25) Sunfit VRX 160W Premium Lamps (in the canopy)
- ( 4) Sunfit RS 1000W - HP lamps (in the canopy)
- (20) Sunfit VX 180W Premium Lamps (in the base)
- ( 6) Sunfit S+ 25W Lamps (in the shouldertanner)

**Max. Exposure Time:** 12 minutes  
**Colors:** XtremeOrange (XOM) & RoyalBlue (RBM)

**GoldFlex HP Filter System**  
**Bodycoolers:** Turbo and Face+  
**Central Air Extraction:** 1@200mm + 1@150mm

## General Information

**Power Supply:** 3phase - 3x220V/60Hz + Ground  
**Amperage (w/ Airco):** 47 A (51 A)  
**Breaker Size:** 60 A (slow) recommended  
**Wire Size:** 7 AWG recommended  
**Buck/Booster(s):** 2 x 2.0 KVA (16/32)

**Bed Dimensions (Open):** 102" L x 62" W x 61" H  
**Crated Dimensions:** 91" L x 55" W x 68" H  
**Crated Weight:** 1,064 lbs  
**Minimum Room Size:** 10'2" L x 9'2" W

## Bed Features

SmartLight, SmartCooler, SmartMusic, SmartShape,  
 SmartShoulder + NeckTanner & SmartControl

## Bed Options

SmartAirco, SmartBreeze, SmartAroma &  
 SmartPaytronic

## Color Options

- XtremeOrange Metallic
- RoyalBlue Metallic



## Bed Features



SmartLight SmartCooler SmartShape SmartMusic

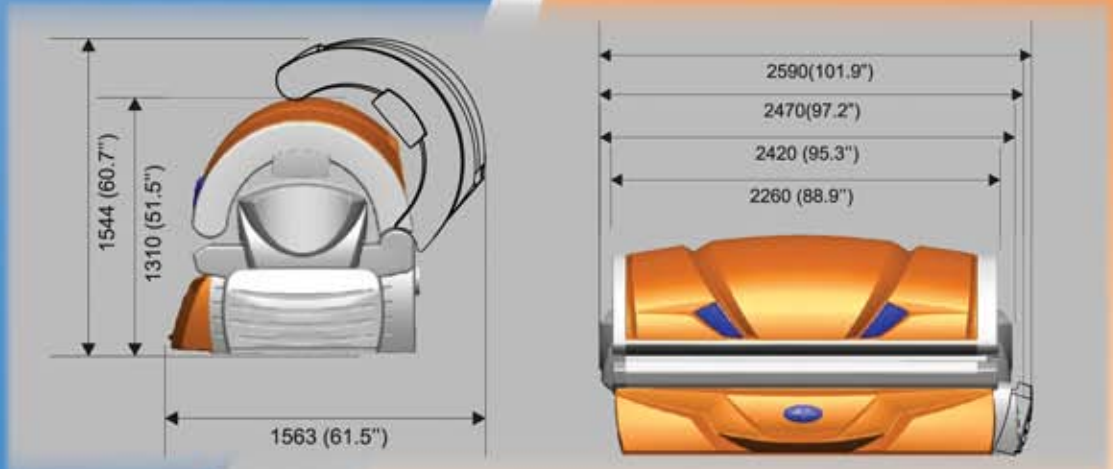


SmartTanners SmartService SmartControl

## Bed Options



SmartAirco SmartBreeze SmartAroma SmartPaytronic



## Reeves Enterprise

115 N. Dixieland, Suite 1  
 Rogers, AR 72756

**1.888.812.6833**

www.ultimate-tan.com

